



Actros Pure

6x4 Prime Mover
L-Cab ClassicSpace
2646

Mercedes-Benz
Trucks you can trust



6x4 Actros Pure Prime Mover

L-Cab ClassicSpace

The Actros Pure range is ready for the job and ready to hit the road. Available in 3 different model types, Actros Pure Prime Movers come with a range of features to assist with making work convenient, enjoyable and efficient – including low-entry access, wireless mobile phone charging, and impressive safety features such as the new Active Brake Assist 5. The trucks are available for immediate delivery, so take advantage of our flexible financing options and 5 years/500,000kms¹ complimentary scheduled servicing² today.

Models at a glance

Model	Engine and transmission	Cab	Weight front	Weight rear
Actros Pure 2646	OM 470, 455hp + G281 - 12	L-Cab Classic 2.3 with 320mm tunnel	4,893kg	3,468kg

Weights include full AdBlue, 75kg driver, no fuel.



L-Cab ClassicSpace 2.30m with a 320mm engine tunnel

Model Specifications

Engine

Engine Model	OM 470
Capacity	10.7l
Power	335kW (455hp)
Torque	2200Nm (1,623ft.lb)

Cab

Multimedia cockpit

Comfort telephony, wireless charging

Truck navigation

Digital radio

Driver's suspension seat, comfort

Fold-up co-driver's seat

Air conditioning system

Windscreen, tinted, with filter band

Air deflector, snap-in, with cab side deflectors

Toolkit, extended

Driveline

G281 - 12 speed PowerShift transmission with 2.846 RAR engine RPM 1,472 @ 100km/h

Front axle and suspension

7.5t offset front axle with 7.5t two leaf springs

Rear axle and suspension

Two x 13.0t hypoid rear axle with differential locks

Two x four bag rear air suspension

Axle load measuring device

Brakes

Disc brake, with Electronic Braking System (EBS)

Anti-lock Braking System (ABS)

Traction Control System (ASR)

Electronic Stability Program (ESP)

Independent trailer brake, electronic

High performance engine brake

Electronic park brake with HOLD function

Wheelbase and frame

3250mm wheelbase with 750mm tapered rear overhang

5th wheel angles - undrilled

Wing, three-piece, with EC splash guard, 30mm lowered

Jost JSK37 sensor TT-260 OAH

Pogostick, 4wayclamp

Electrical

Chassis mounted battery carrier left hand side

100A alternator with two 220 Ah AGM batteries

2nd generation PSM (Body Interface Module)

Mercedes-Benz Telematics hardware and MB Uptime Assist

Mercedes-Benz Telematics 12 month complimentary access

Fleet Management System (FMS)

Bi-xenon headlamps

LED daytime running light + LED tail light

Air horn, below cab

UHF radio GME TX4500S

Safety

Front facing and curb mirrors

Automatic park brake engage with door open and 0km/h

Automatic park brake engage with engine switch off

Driver airbag

Seat belt monitor

Rain sensor

Light sensor

Active Brake Assist 5

Fuel, AdBlue and exhaust

290l aluminium fuel tank left hand side

Second 290l fuel tank on the right hand side

60l Adblue tank left hand side

Exhaust system, tailpipe to right and outwards

Wheels and tyres

8.25" x 22.5" steel rims with 295/80R 22.5 tyres

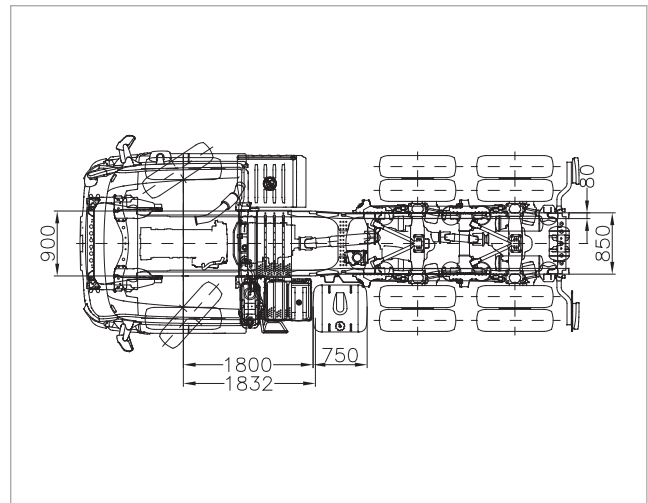
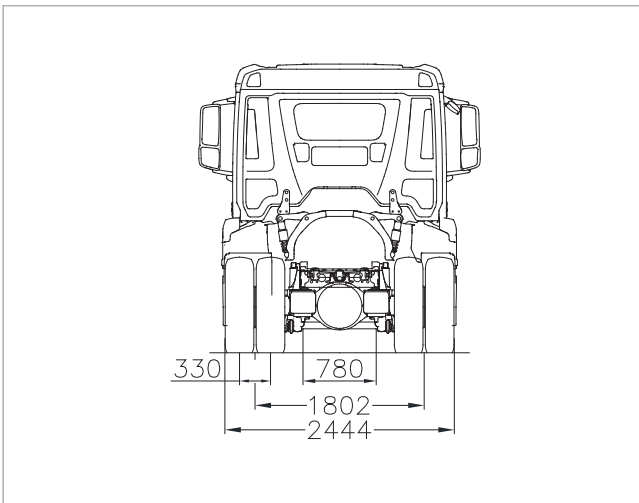
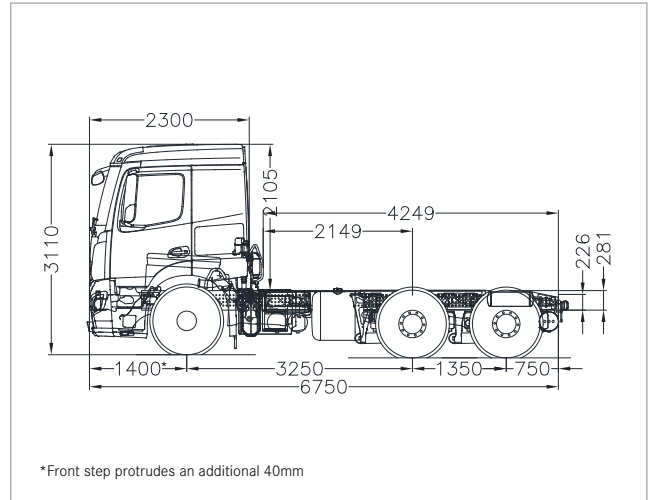
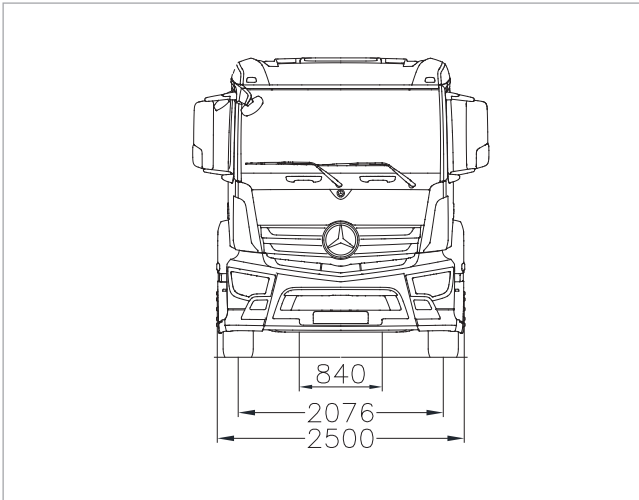
Maximum weights

26,000kg GVM, 62,500kg GCM

Warranty

2 year bumper to bumper with 4 year/800,000km driveline warranty

Chassis drawing and dimensions



This product specification sheet refers to model year 2021 Actros Pure vehicles.

¹ Whichever occurs first.

² Terms and conditions apply. Complimentary BestBasic 5 years/500,000kms (whichever occurs first from the date the vehicle is first registered) Service Plan available on eligible Mercedes-Benz Actros MP5 vehicles (On Highway Prime Mover, up to 110 tonnes GCM). Vocational high engine hour applications are capped at 5 years/10,000 hours (whichever occurs first from the date the vehicle is first registered). Valid for new vehicles purchased and delivered before 31 December 2021, unless extended. Covers all scheduled service work relevant to the vehicle as specified in the Mercedes-Benz Flexible Telligent System or the Mercedes-Benz Maintenance Manual, and can only be carried out in an authorised Mercedes-Benz dealership. Please contact your authorised Mercedes-Benz dealership for a copy of the full terms and conditions including inclusions and exclusions of items covered under the BestBasic Service Plan.

Please note: changes may have been made to the product since this publication went to press (July 2021). The manufacturer reserves the right to make changes to the design, form, colour, specifications to the vehicles or optional equipment without notice, including during the delivery period. The illustrations and texts may include accessories and items of special equipment which are not part of standard specification. Colours may differ slightly from those shown in the brochure, owing to the limitations of the printing process. The images shown are to be considered examples only and do not necessarily reflect the actual state of the original vehicles. The appearance of the original vehicles may differ from these illustrations. Subject to change. This publication may also contain models and services which are not available in certain countries. This brochure is distributed internationally. It provides a general indication of the range of models, features, special equipment and/or colours available in various countries. Some of the models, features, special equipment and/or colours may not be available in your country, or may only be available in a different specification. Additionally, some models, features, special equipment and/or colours may only be available in combination with others. For current and more specific information on the availability, design features and prices of all models, features, optional extras and/or colours available in Australia or New Zealand, you should contact your authorised Mercedes-Benz Truck Dealer on 1800 033 557 or go to https://www.mercedes-benz-trucks.com/en_AU (Australia), or https://www.mercedes-benz-trucks.com/en_NZ (New Zealand).