

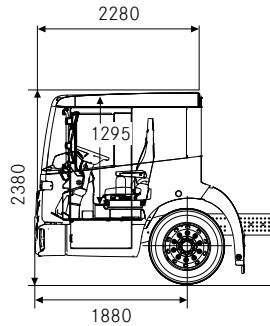


Mercedes-Benz  
Trucks you can trust

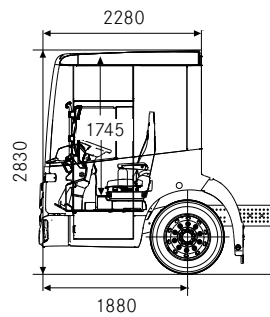
# Technical data

## Mercedes-Benz Econic 1830

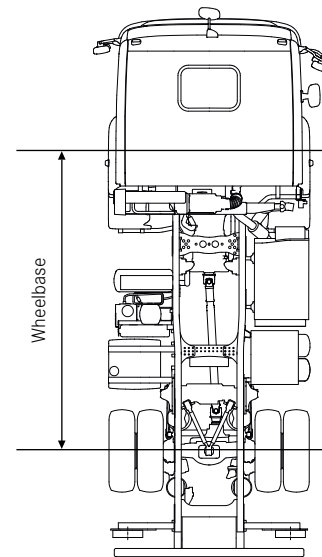
Low Cab



High Cab



4 x 2



All dimensions in [mm]

Model	1830 (2-axle)
Traction formula*	4 x 2
Engine	OM 936 LA
Permissible gross vehicle weight	18.0 t
No. of cylinders/displacement	R6/7.7 l
Output kW (hp)	220 (299)
Emission standards	Euro VI
Transmission	6-speed automatic
Wheelbase***	3.45/3.9/4.2/4.5/4.8/5.7 m
Turning circle** Ø	14.8–22.0 m

\* Further axle configurations available on request.  
\*\* Tolerance 0.5 m.

\*\*\* Further wheelbase variants available on request

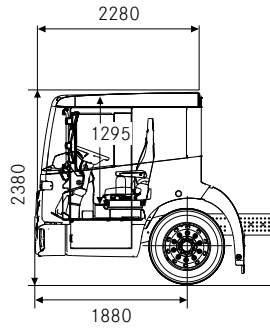


Mercedes-Benz  
Trucks you can trust

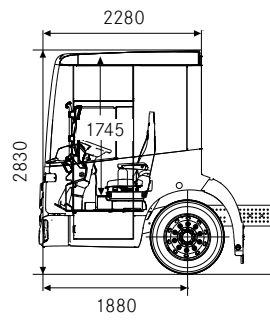
# Technical data

## Mercedes-Benz Econic 1835

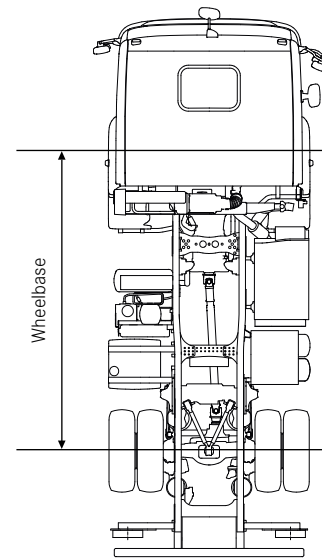
Low Cab



High Cab



4 x 2



All dimensions in [mm]

Model	1835 (2-axle)
Traction formula*	4 x 2
Engine	OM 936 LA
Permissible gross vehicle weight	18.0 t
No. of cylinders/displacement	R6/7.7 l
Output kW (hp)	260 (354)
Emission standards	Euro VI
Transmission	6-speed automatic
Wheelbase***	3.45/3.9/4.2/4.5/4.8/5.7 m
Turning circle** Ø	14.8–22.0 m

\* Further axle configurations available on request.  
\*\* Tolerance 0.5 m.

\*\*\* Further wheelbase variants available on request