

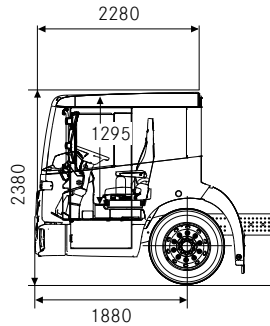


Mercedes-Benz
Trucks you can trust

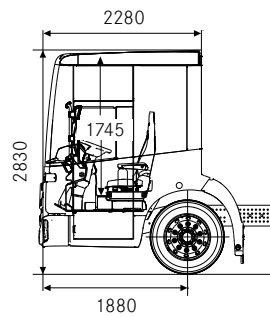
Technical data

Mercedes-Benz Econic 2630

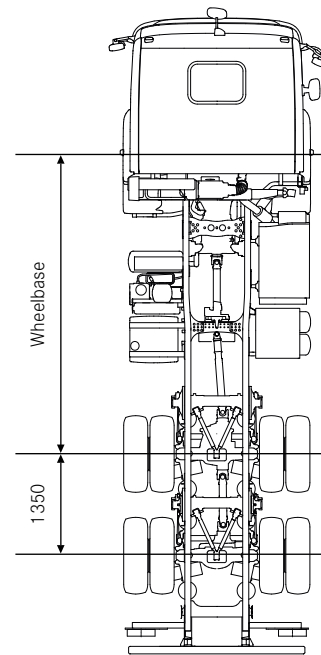
Low Cab



High Cab



6 x 4



All dimensions in [mm]

Model	2630 (3-axle)
Traction formula*	6 x 4
Engine	OM 936 LA
Permissible gross vehicle weight	26.0 t
No. of cylinders/displacement	R6/7.7 l
Output kW (hp)	220 (299)
Emission standards	Euro VI
Transmission	6-speed automatic
Wheelbase***	3.9/4.2/4.5 m
Turning circle** Ø	19.0-20.0 m

* Further axle configurations available on request.

*** Further wheelbase variants available on request

** Tolerance 0.5 m.

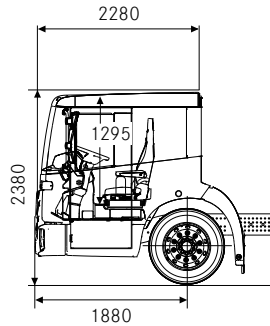


Mercedes-Benz
Trucks you can trust

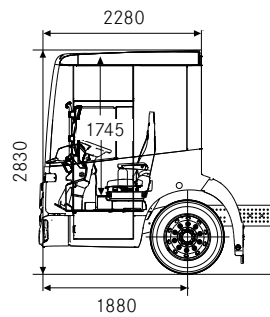
Technical data

Mercedes-Benz Econic 2630

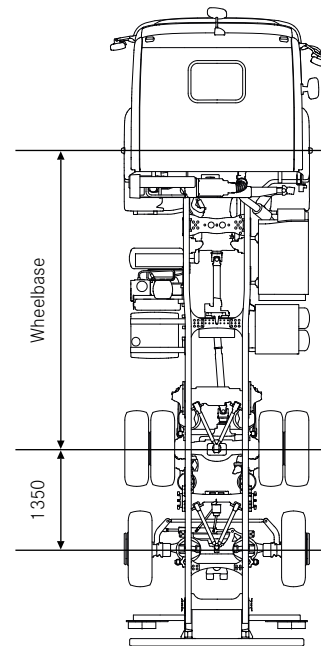
Low Cab



High Cab



6 x 2/4 ENA



All dimensions in [mm]

Model	2630 (3-axle)
Traction formula*	6 x 2/4 ENA
Engine	OM 936 LA
Permissible gross vehicle weight	26.0 t
No. of cylinders/displacement	R6/7.7 l
Output kW (hp)	220 (299)
Emission standards	Euro VI
Transmission	6-speed automatic
Wheelbase***	3.45/3.9/4.2/4.5/4.8 m
Turning circle** Ø	14.8–19.1 m

* Further axle configurations available on request.
** Tolerance 0.5 m.

*** Further wheelbase variants available on request

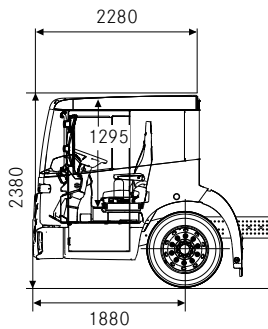


Mercedes-Benz
Trucks you can trust

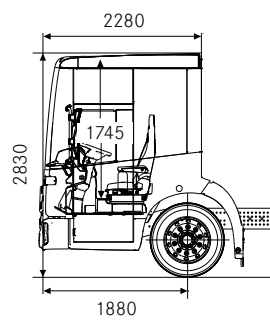
Technical data

Mercedes-Benz Econic 2630

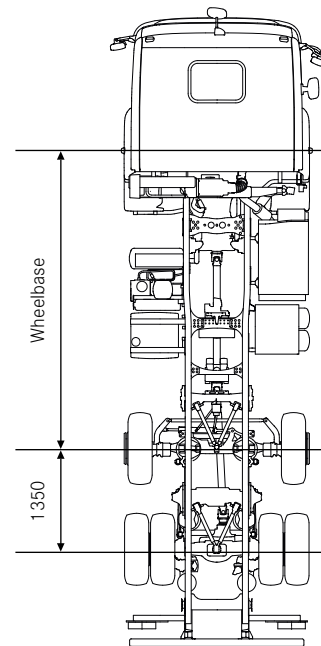
Low Cab



High Cab



6 x 2/4 VLA



All dimensions in [mm]

Model	2630 (3-axle)
Traction formula*	6x2/4 VLA
Engine	OM 936 LA
Permissible gross vehicle weight	26.0 t
No. of cylinders/displacement	R6/7.7 l
Output kW (hp)	220 (299)
Emission standards	Euro VI
Transmission	6-speed automatic
Wheelbase***	3.9 m
Turning circle** Ø	21.1 m

* Further axle configurations available on request.

*** Further wheelbase variants available on request

** Tolerance 0.5 m.

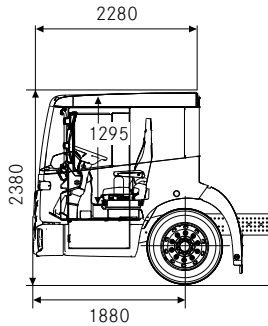


Mercedes-Benz
Trucks you can trust

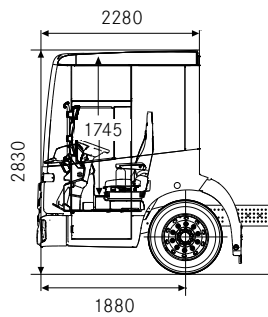
Technical data

Mercedes-Benz Econic 2635

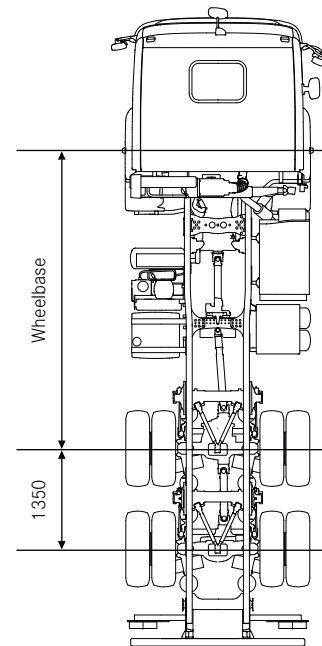
Low Cab



High Cab



6 x 4



All dimensions in [mm]

Model	2635 (3-axle)
Traction formula*	6 x 4
Engine	OM 936 LA
Permissible gross vehicle weight	26.0 t
No. of cylinders/displacement	R6/7.7 l
Output kW (hp)	260 (354)
Emission standards	Euro VI
Transmission	6-speed automatic
Wheelbase***	3.9/4.2/4.5 m
Turning circle** Ø	19.0-20.0 m

* Further axle configurations available on request.
** Tolerance 0.5 m.

*** Further wheelbase variants available on request

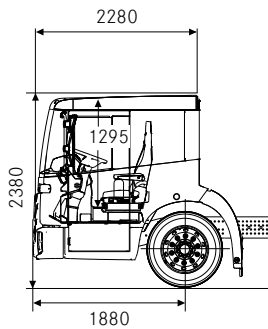


Mercedes-Benz
Trucks you can trust

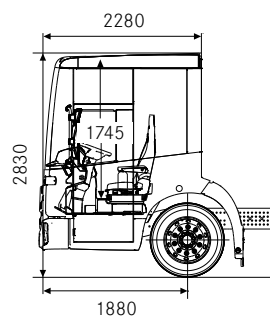
Technical data

Mercedes-Benz Econic 2635

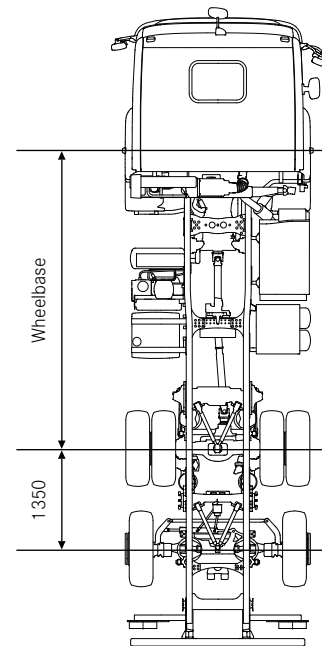
Low Cab



High Cab



6 x 2/4 ENA



All dimensions in [mm]

Model	2635 (3-axle)
Traction formula*	6x2/4 ENA
Engine	OM 936 LA
Permissible gross vehicle weight	26.0 t
No. of cylinders/displacement	R6/7.7 l
Output kW (hp)	260 (354)
Emission standards	Euro VI
Transmission	6-speed automatic
Wheelbase***	3.45/3.9/4.2/4.5/4.8 m
Turning circle** Ø	14.8–19.1 m

* Further axle configurations available on request.

** Tolerance 0.5 m.

*** Further wheelbase variants available on request

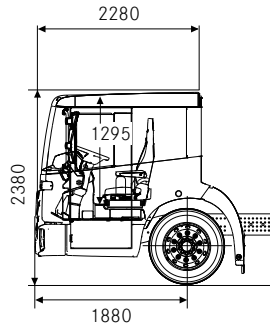


Mercedes-Benz
Trucks you can trust

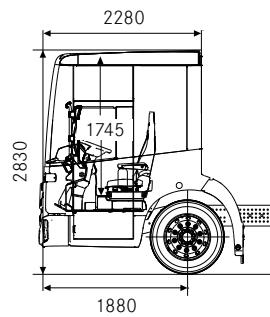
Technical data

Mercedes-Benz Econic 2635

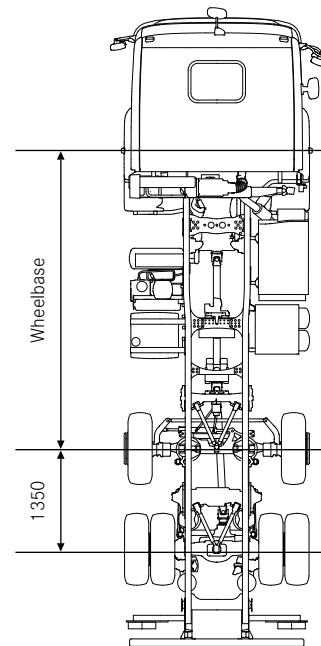
Low Cab



High Cab



6 x 2/4 VLA



All dimensions in [mm]

Model	2635 (3-axle)
Traction formula*	6x2/4 VLA
Engine	OM 936 LA
Permissible gross vehicle weight	26.0 t
No. of cylinders/displacement	R6/7.7 l
Output kW (hp)	260 (354)
Emission standards	Euro VI
Transmission	6-speed automatic
Wheelbase***	3.9 m
Turning circle** Ø	21.1 m

* Further axle configurations available on request.
** Tolerance 0.5 m.

*** Further wheelbase variants available on request